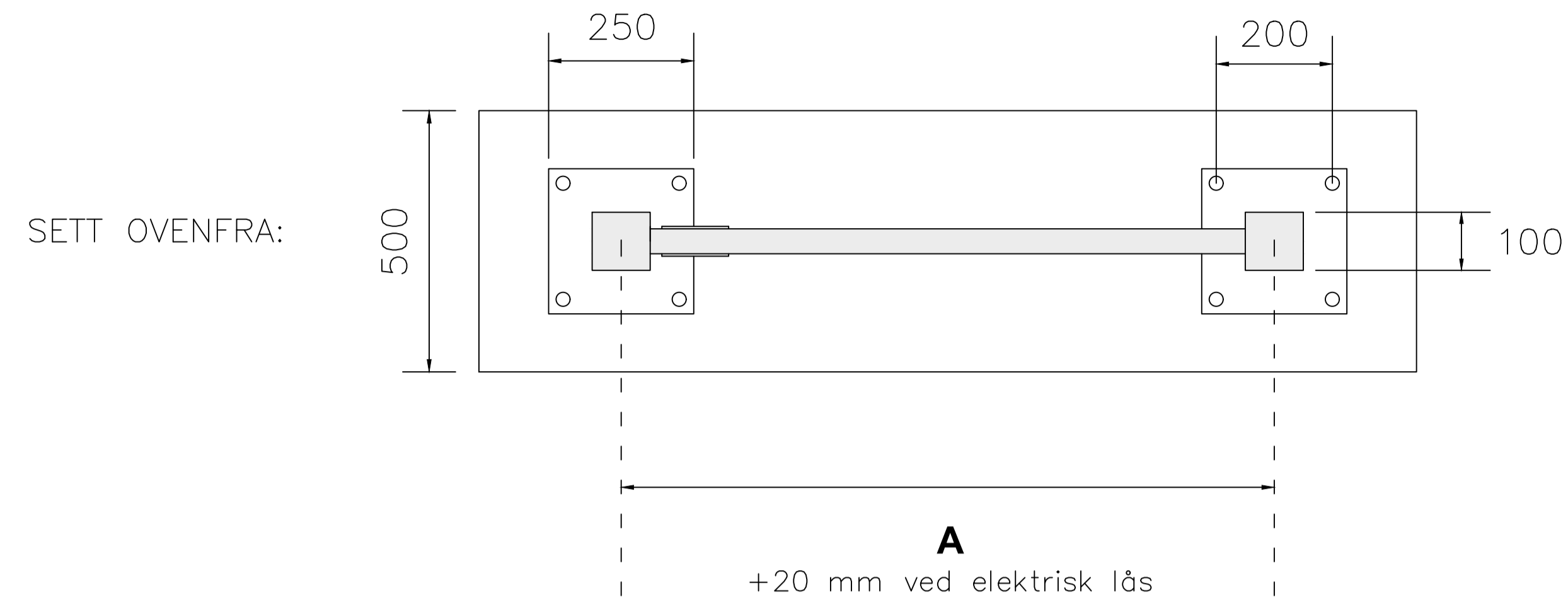
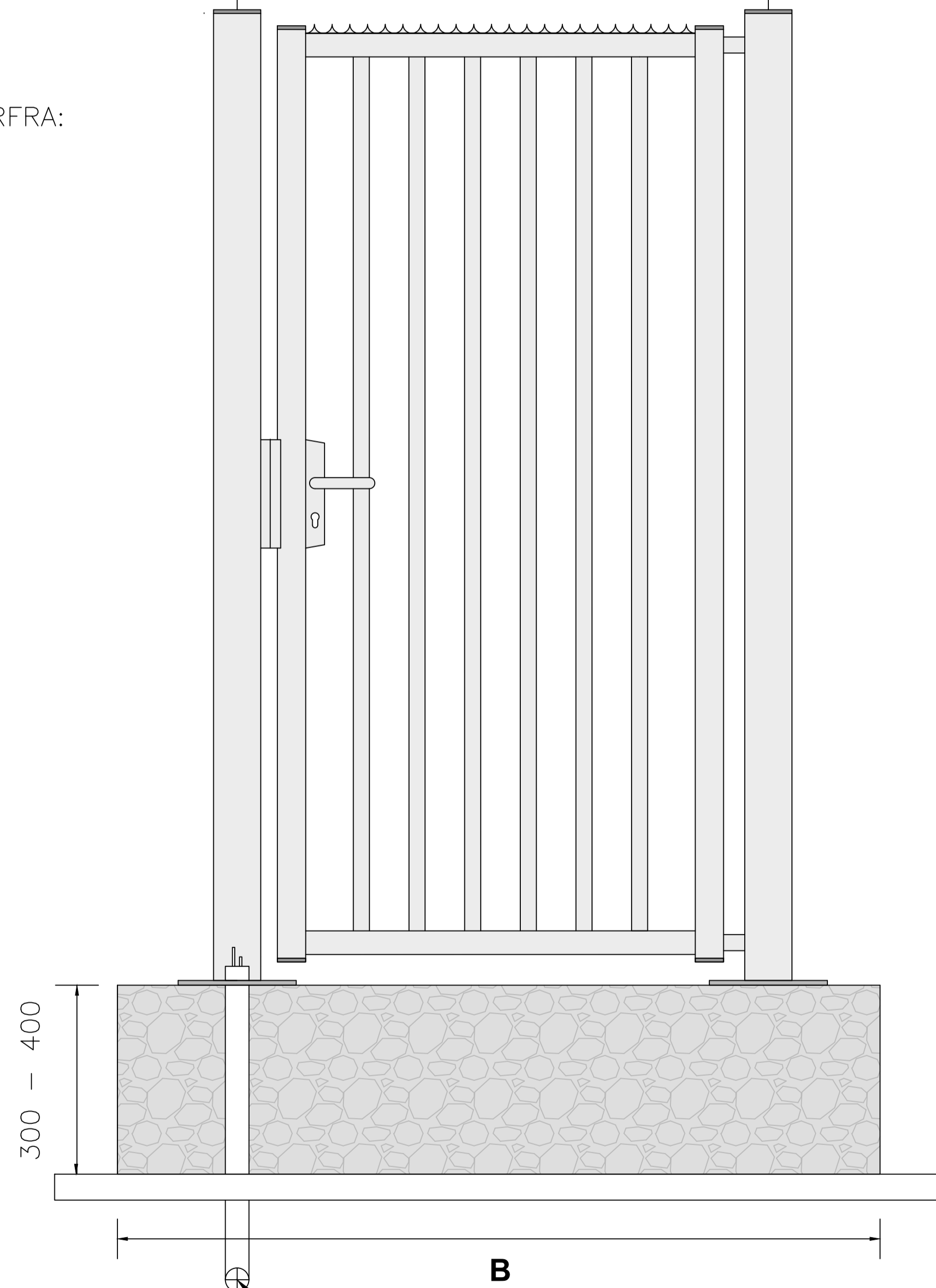


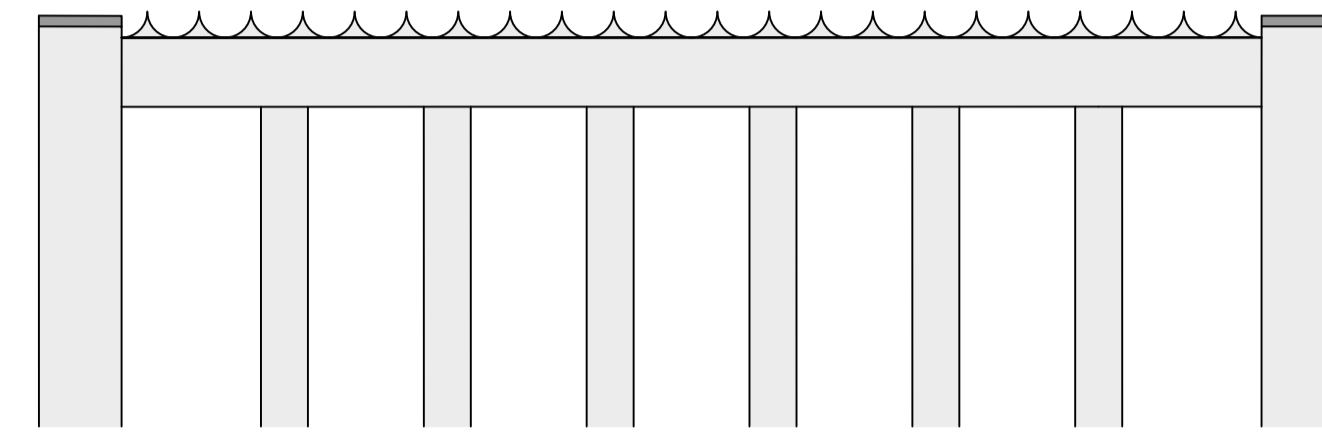
UNITS: mm



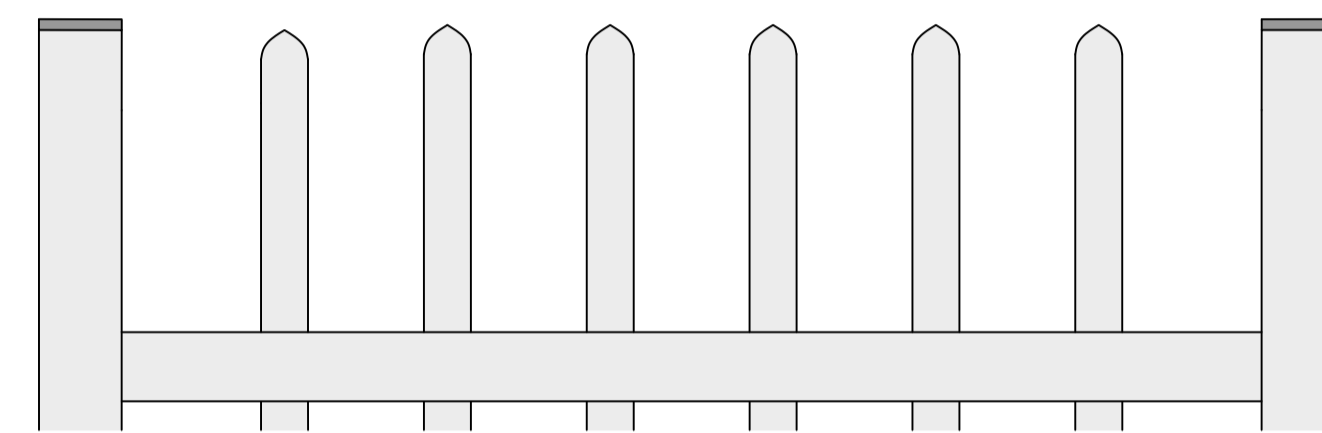
SETT FORFRA:



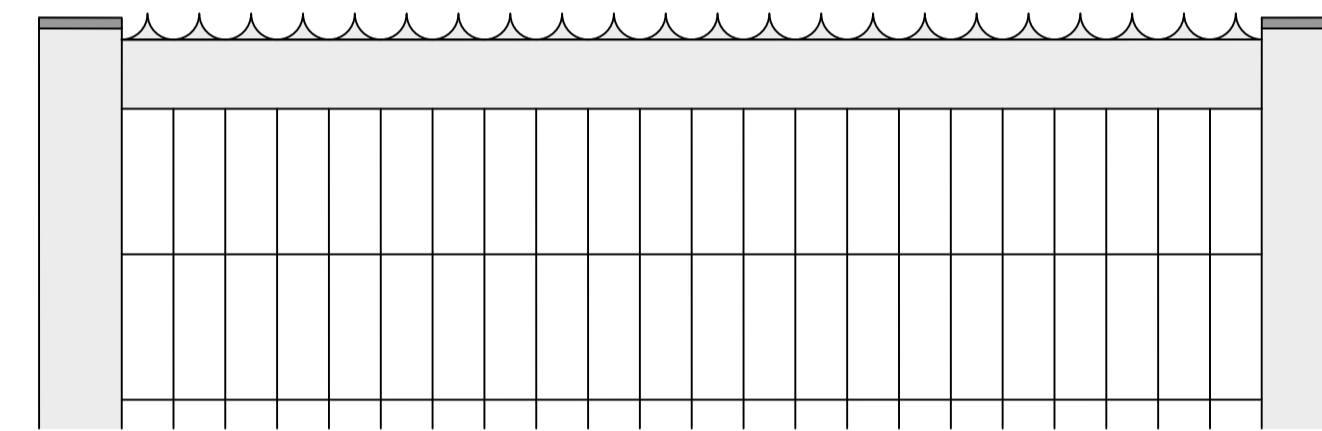
Fundamentstegning Heras Gangport Euro



Heracles



Atlas



Pallas

Tabell for Portstørrelser (alle mål i mm)

Type / bredde	A	B	C.O.C. 132 mm
1000	1130	1530	+28
1250	1430	1830	-8
1500	1730	2130	-44
2000	2180	2580	+34

DRAWN BY: CSW DATE: 06/07/18

TITLE:

Heras Norge AS
JERNKROKEN 18, 0976 OSLO

FUNDAMENTSTEGNING GANGPORT
EURO 1-FLØYET, MANNUEL



PROJECT:
GANGPORT EURO

SCALE:

SHEET:
1/1

The details of this drawing are not exactly correct and in scale, only stated measurements should be treated as correct.