

Type	Af	Bf	Cf	Df	Ef
30...	2580	2360	700	5640	88
40...	3655	2360	700	6715	88
50...	4675	2360	700	7735	88
60...	5580	2360	800	8740	78

CONDOR R

NL
 Beton C20/25. Trekdraad vooraf in PVC buis leggen en grond aanvullen na leggen kabel.
 Afwijkingen in uitvoering zonder toestemming van Heras is niet toegestaan!

DE
 Beton C20/25. Draht zum Durchziehen der Kabel durch die PVC-Rohre bauseits vorab einlegen.
 Arbeitsraum im Bereich der PVC-Rohre erst nach Einzug der Elektrokabel auffüllen.
 Abweichende Ausführungen nur nach Rücksprache mit HERAS Niederlande!

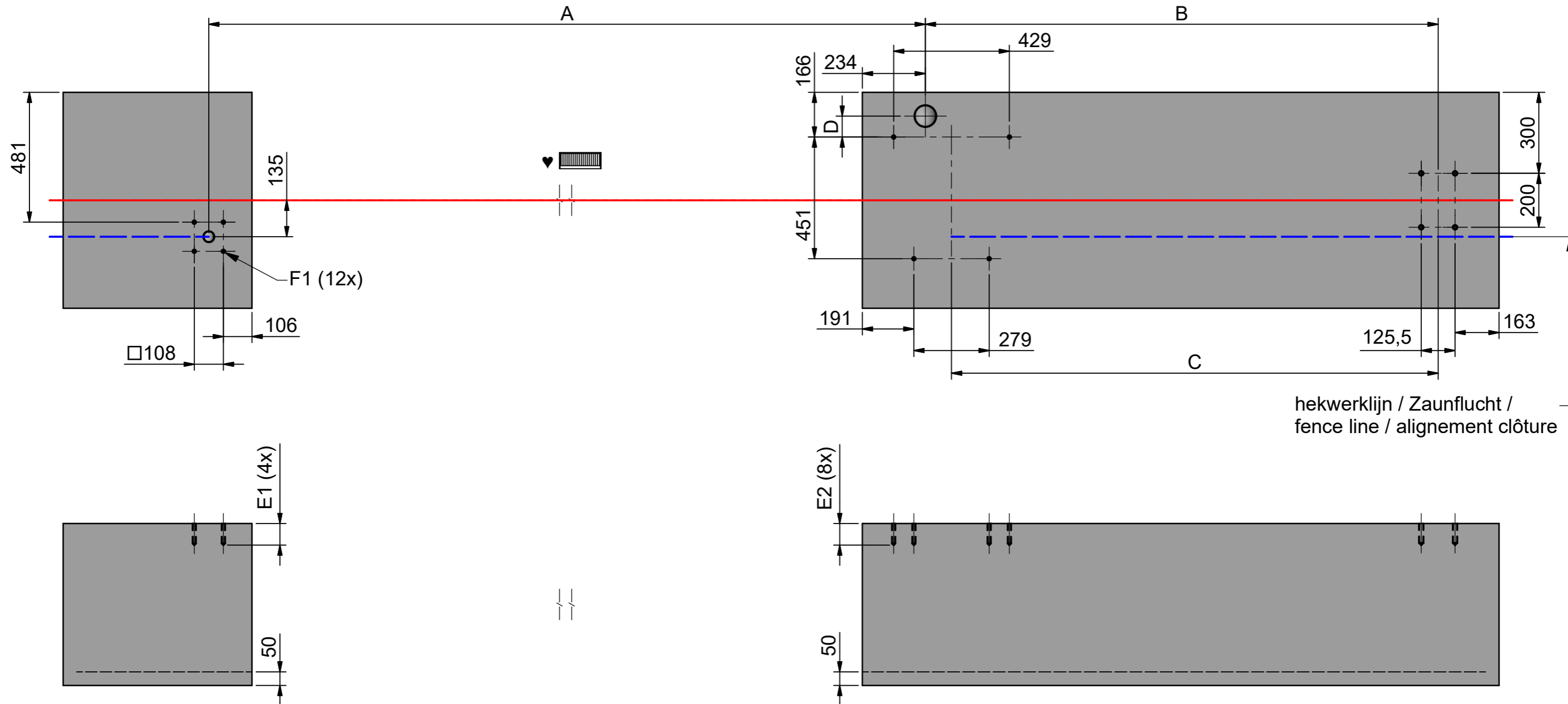
EN
 Concrete C20/25. Place pull wire in advance in PVC. Fill up working space around tube after placing cable. Modification in execution without permission of Heras is not allowed!

FR
 Béton C20/25. Fourreau avec aiguille pour tirage des câbles. Les fourreaux doivent rester accessibles pour le passage des câbles. Toutes les modifications effectuées sans autorisations de HERAS est interdite!

FUNDATIE FUNDAMENT FOUNDATION

UNIT: mm

2	remove max. on section A-A and B-B	SSch	10-07-'23	
1	change dimensions Af, Bf, Df, A and B in the tables	SSch	27-06-'23	
0	Production drawing	SSch	26-06-'23	
REV.:	REVISION DESCRIPTION:	NAME:	DATE:	CHK. BY:
DRAWN BY: SSch		DESCRIPTION:		
DATE: 26-6-2023		FOUNDATION / BUILT UP / BASIC DIMENSIONS		
REF. NO: portconfundblk40re				
		PROJECT:	DRAWING NO:	REV NO:
		SLIDING GATE CONDOR	p09482	2
				SHEET:
				1 v 8



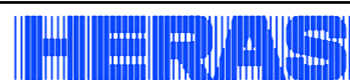
hekwerklijn / Zaunflucht /
fence line / alignement clôture

CONDOR R

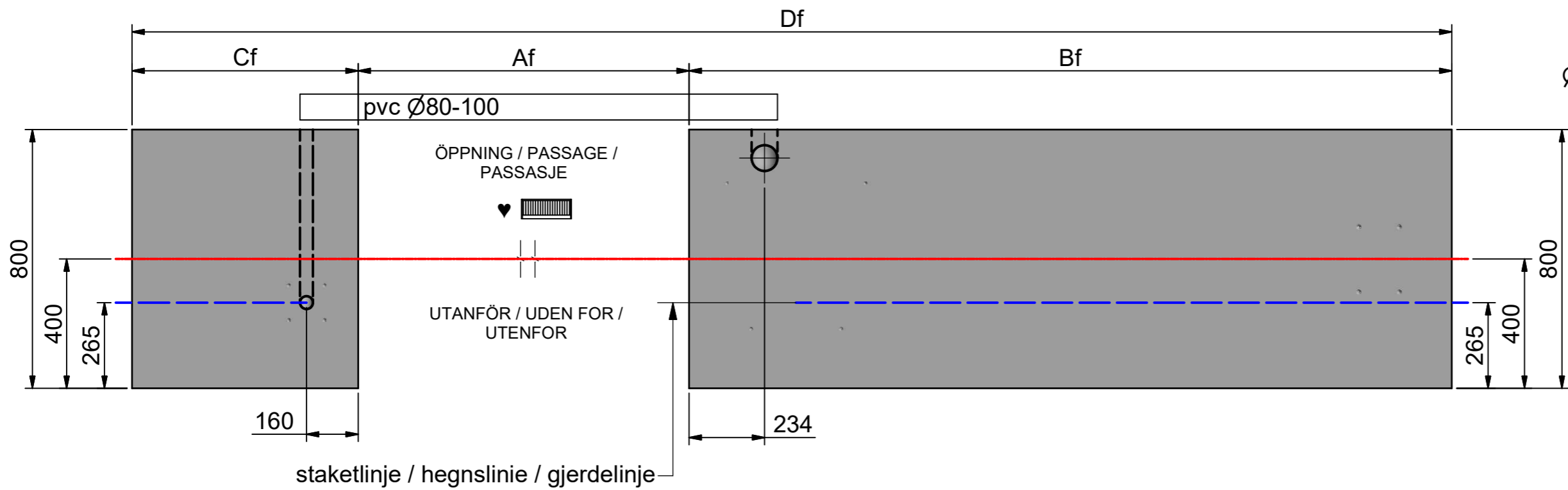
Type	A	B	C	D
30...	2973	1900	1803	77,5
40...	4048	1900	1803	77,5
50...	5068	1900	1803	77,5
60...	5973	1900	1803	87,5

anchor type	thread x length	E1	E2	F1	torque
Fisher FAZ II 12/10 R Art.-No. 501413	M12x110 mm	90 mm	80 mm	12 mm	60 Nm

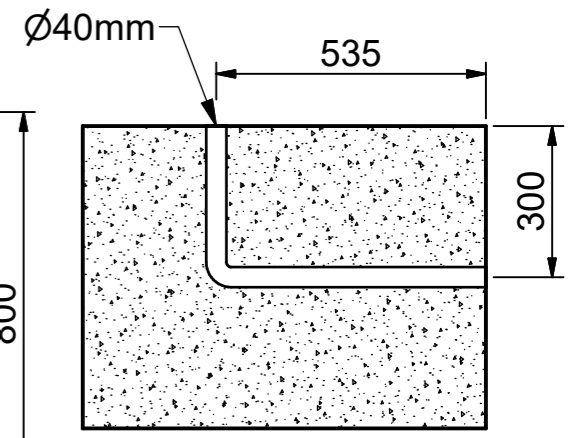
2	remove max. on section A-A and B-B	SSch	10-07-'23	
1	change dimensions Af, Bf, Df, A and B in the tables	SSch	27-06-'23	
0	Production drawing	SSch	26-06-'23	
REV.:	REVISION DESCRIPTION:	NAME:	DATE:	CHK. BY:

DRAWN BY: SSch	DESCRIPTION:			
DATE: 26-6-2023	FOUNDATION / BUILT UP / BASIC DIMENSIONS			
REF. NO: portconfundblk40re				
	PROJECT:	DRAWING NO:	REV NO:	SHEET:
	SLIDING GATE CONDOR	p09482	2	2 v 8

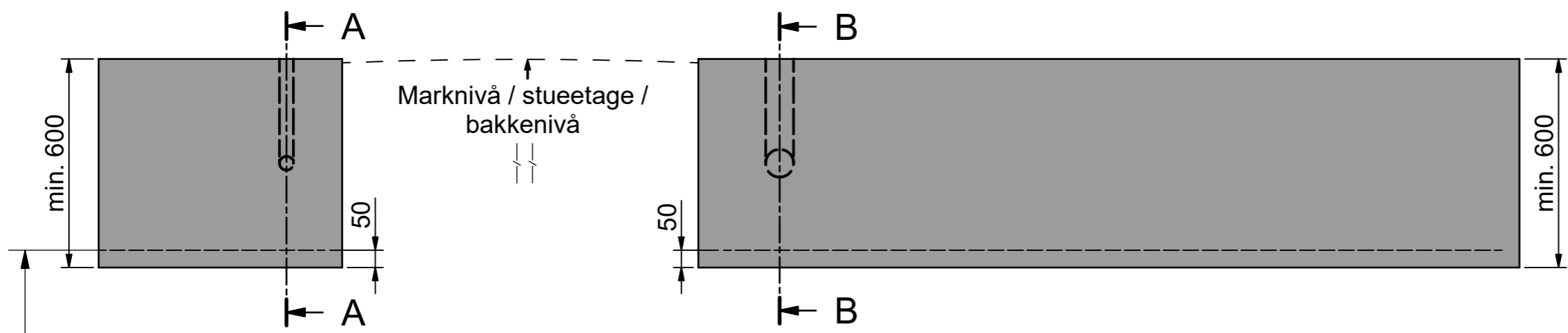
UNIT: mm



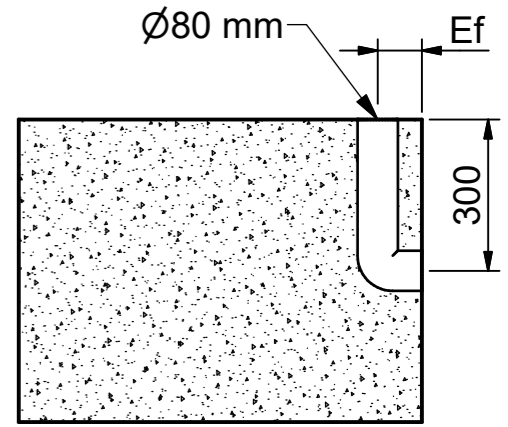
staketlinje / hegnslinie / gjerdelinje



A-A (1 : 15)



Armering / forstærkning / forsterkning Ø6 x 150



B-B (1 : 15)

Type	Af	Bf	Cf	Df	Ef
30...	2580	2360	700	5640	88
40...	3655	2360	700	6715	88
50...	4675	2360	700	7735	88
60...	5580	2360	800	8740	78

CONDOR R

FUNDAMENT

SV
Betong C20/25. Lägg kabelrör med dragtråd. Återfyll schakten efter rörläggningen. Ändring av utförandet utan tillstånd från Heras är ej tillåtet.

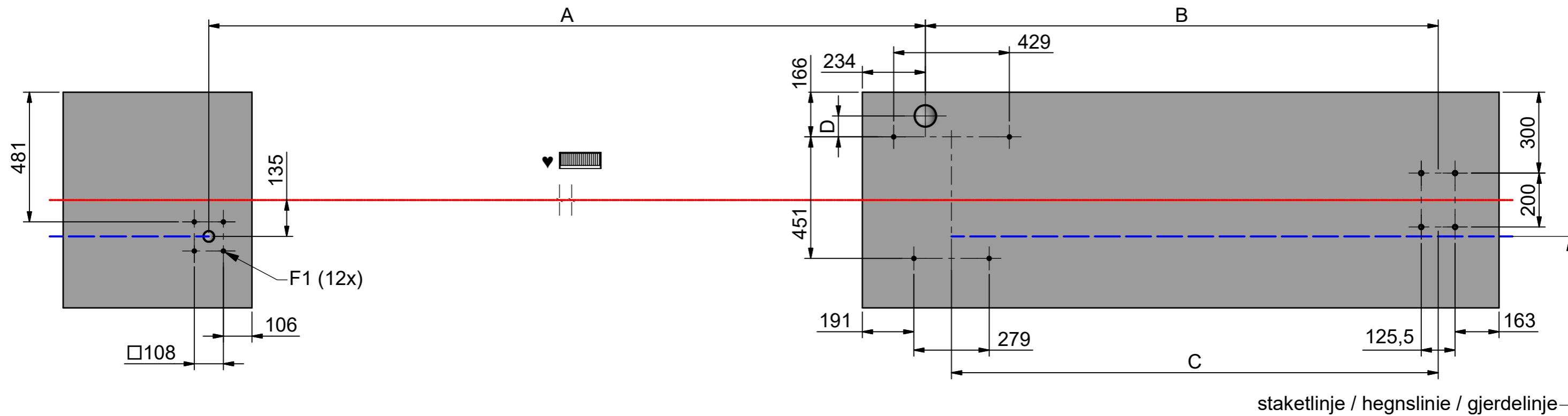
DK
Betong C20/25 Læg trækwiren i PVC-rør på forhånd og fyld jorden op efter lægning af kablet. Afvigelser i udførelse uden tilladelse fra Heras er ikke tilladt!

NO
Betong C20/25 Legg trekkvaieren i PVC-rør på forhånd og fyll opp jord etter kabellegging. Avvik i utførelse uten tillatelse fra Heras er ikke tillatt!

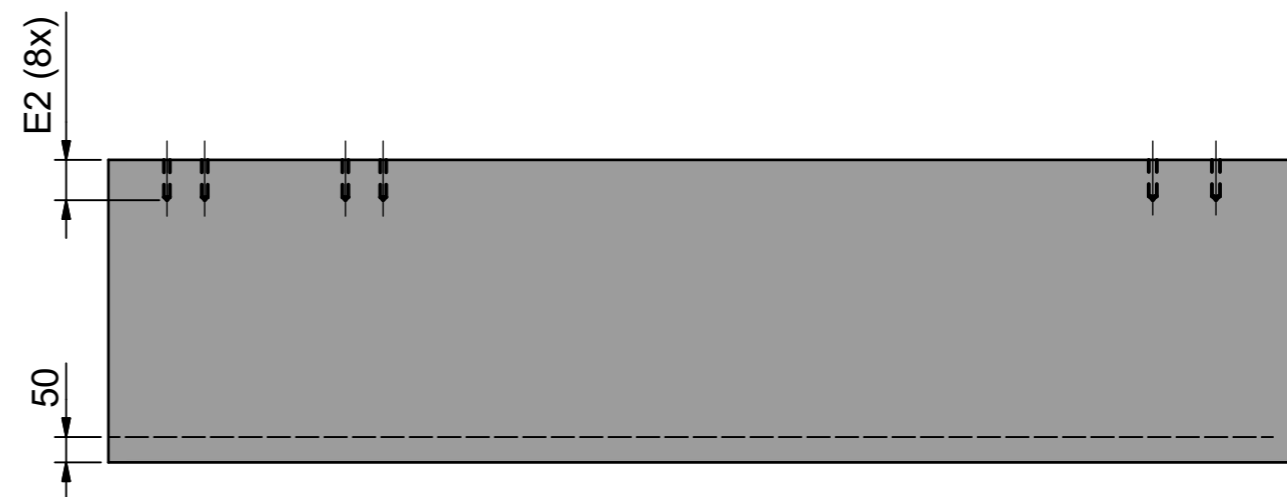
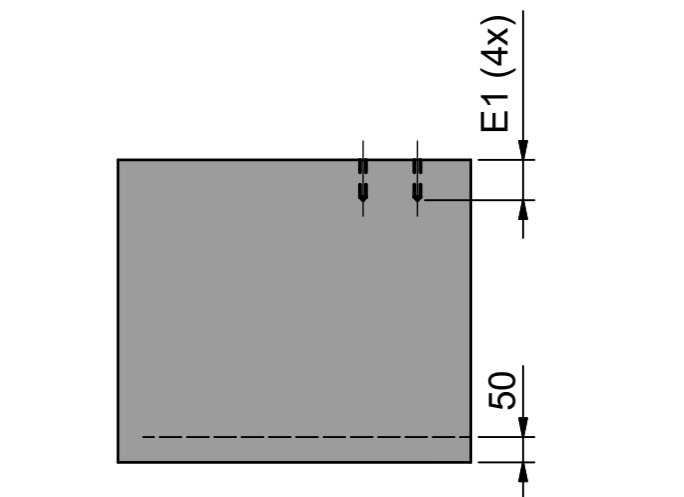
2	remove max. on section A-A and B-B	SSch	10-07-'23	
1	change dimensions Af, Bf, Df, A and B in the tables	SSch	27-06-'23	
0	Production drawing	SSch	26-06-'23	
REV.:	REVISION DESCRIPTION:	NAME:	DATE:	CHK. BY:

DRAWN BY: SSch		DESCRIPTION:		
DATE: 26-6-2023		FOUNDATION / BUILT UP / BASIC DIMENSIONS		
REF. NO: portconfundblk40re				
		PROJECT:	DRAWING NO:	REV NO:
		SLIDING GATE CONDOR	p09482	2
				SHEET: 3 v 8

UNIT: mm



staketlinje / hegnslinie / gjerdelinje



CONDOR R

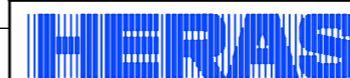
Type	A	B	C	D
30...	2973	1900	1803	77,5
40...	4048	1900	1803	77,5
50...	5068	1900	1803	77,5
60...	5973	1900	1803	87,5

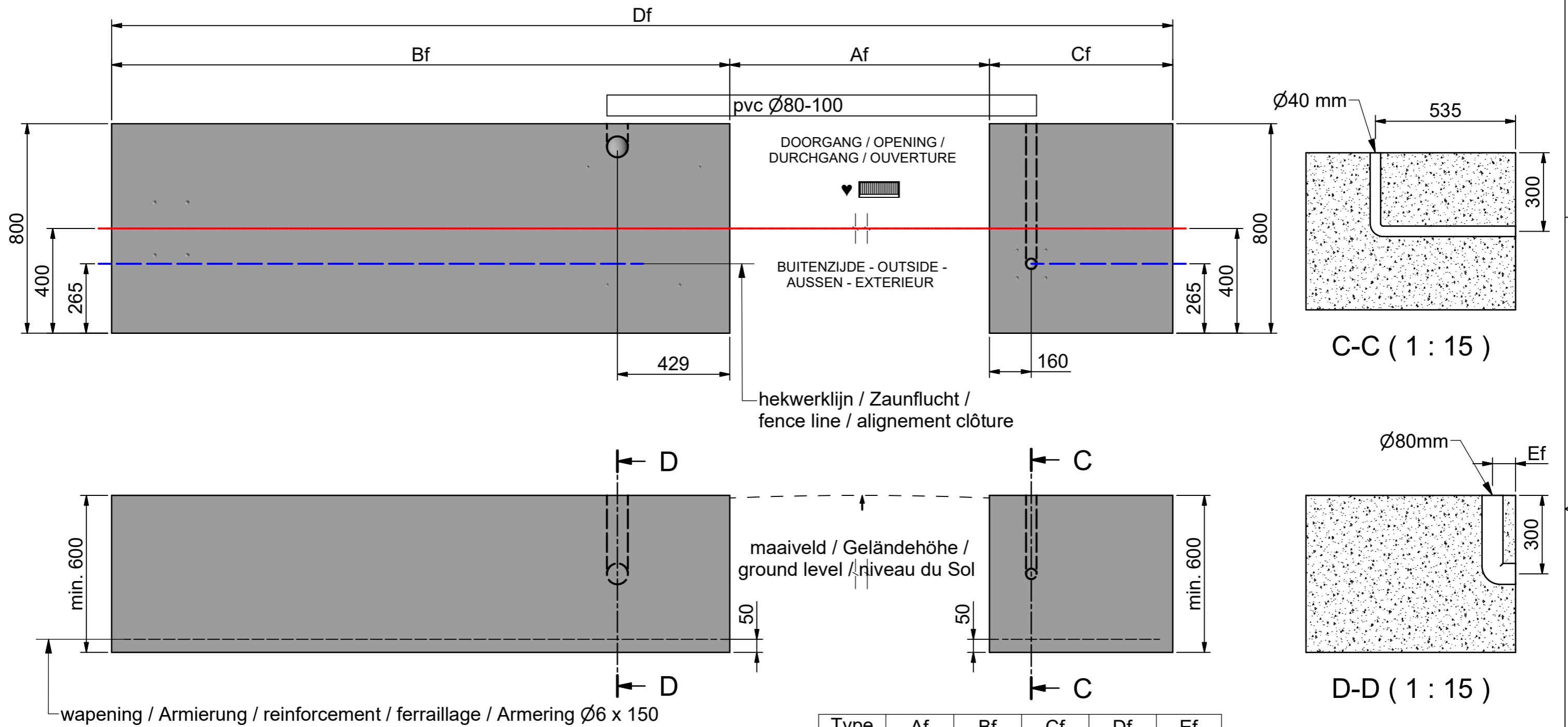
REV.:	REVISION DESCRIPTION:	NAME:	DATE:	CHK. BY:
2	remove max. on section A-A and B-B	SSch	10-07-'23	
1	change dimensions Af, Bf, Df, A and B in the tables	SSch	27-06-'23	
0	Production drawing	SSch	26-06-'23	

UNIT: mm

anchor type	thread x length	E1	E2	F1	torque
Fisher FAZ II 12/10 R Art.-No. 501413	M12x110 mm	90 mm	80 mm	12 mm	60 Nm

DRAWN BY:	DATE:	REF. NO.:	DESCRIPTION:	PROJECT:	DRAWING NO.:	REV NO.:	SHEET:
SSch	26-6-2023	portconfundblk40re	FOUNDATION / BUILT UP / BASIC DIMENSIONS	SLIDING GATE CONDOR	p09482	2	4 v 8





Type	Af	Bf	Cf	Df	Ef
30...	2580	2360	700	5640	88
40...	3655	2360	700	6715	88
50...	4675	2360	700	7735	88
60...	5580	2360	800	8740	78

REV.:	REVISION DESCRIPTION:	NAME:	DATE:	CHK. BY:
2	remove max. on section A-A and B-B	SSch	10-07-'23	
1	change dimensions Af, Bf, Df, A and B in the tables	SSch	27-06-'23	
0	Production drawing	SSch	26-06-'23	

DRAWN BY: SSch	DESCRIPTION:			
DATE: 26-6-2023	FOUNDATION / BUILT UP / BASIC DIMENSIONS			
REF. NO: portconfundblk40re				
	PROJECT:	DRAWING NO:	REV NO:	SHEET:
	SLIDING GATE CONDOR	p09482	2	5 v 8

NL

Beton C20/25. Trekdraad vooraf in PVC buis leggen en grond aanvullen na leggen kabel. Afwijkingen in uitvoering zonder toestemming van Heras is niet toegestaan!

DE

Beton C20/25. Draht zum Durchziehen der Kabel durch die PVC-Rohre bauseits vorab einlegen. Arbeitsraum im Bereich der PVC-Rohre erst nach Einzug der Elektrokabel auffüllen. Abweichende Ausführungen nur nach Rücksprache mit HERAS Niederlande!

EN

Concrete C20/25. Place pull wire in advance in PVC. Fill up working space around tube after placing cable. Modification in execution without permission of Heras is not allowed!

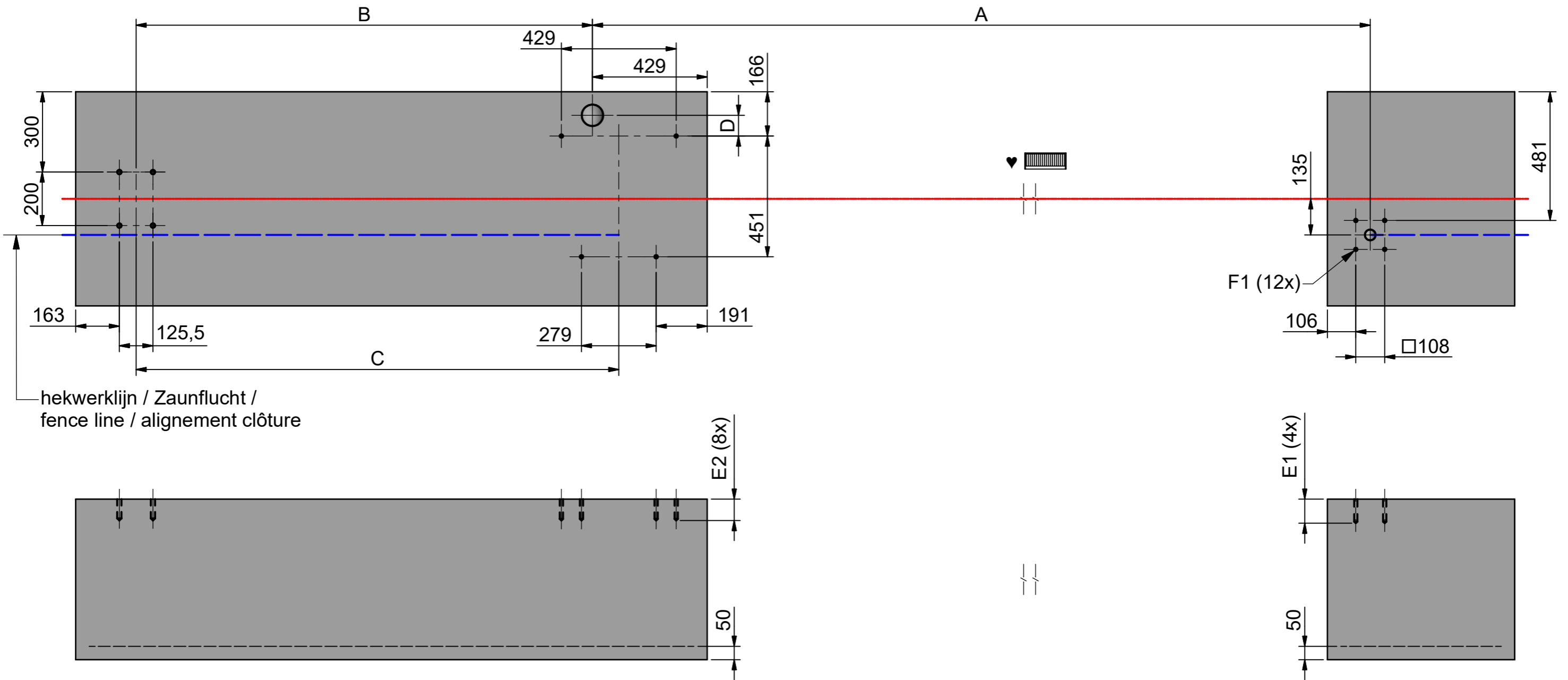
FR

Béton C20/25. Fourreau avec aiguille pour tirage des câbles. Les fourreaux doivent rester accessibles pour le passage des câbles. Toutes les modifications effectuées sans autorisations de HERAS est interdite!

**FUNDATIE
FUNDAMENT
FOUNDATION
FONDATION**

UNIT: mm

CONDOR L



hekwerklijn / Zaunflucht /
fence line / alignement clôture

CONDOR L

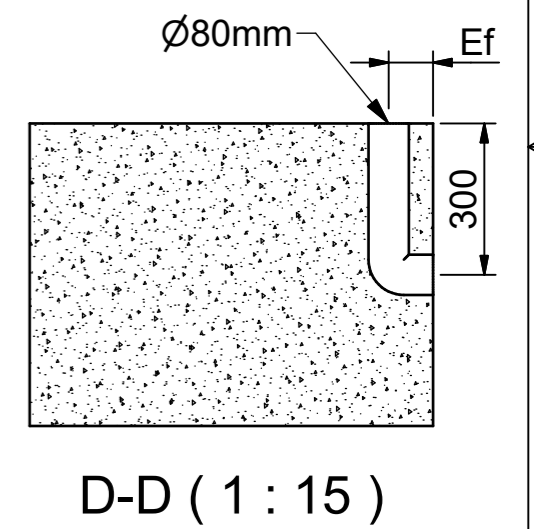
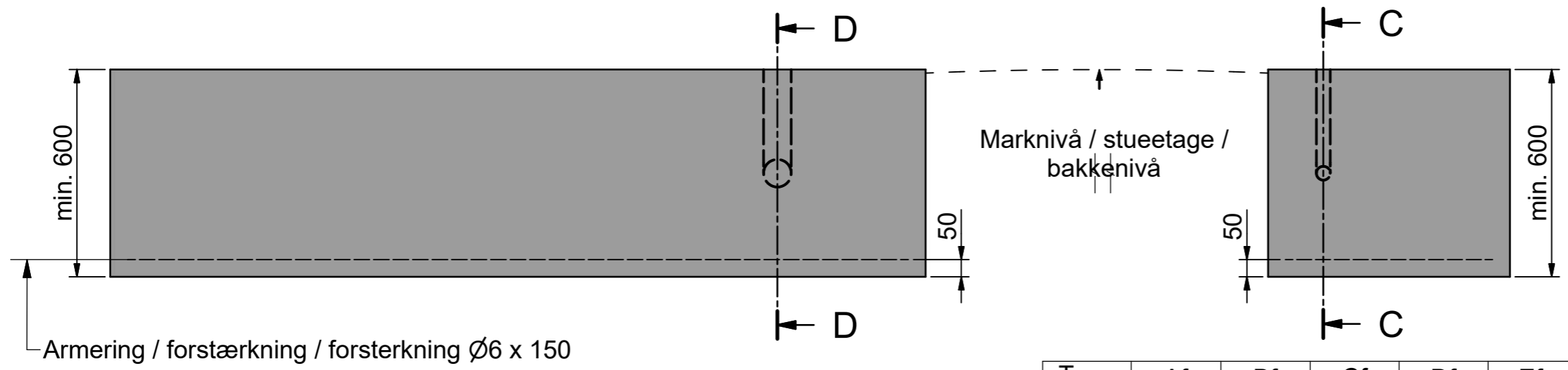
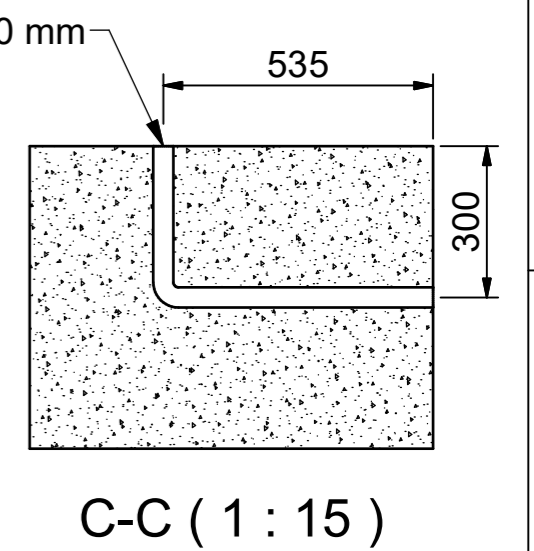
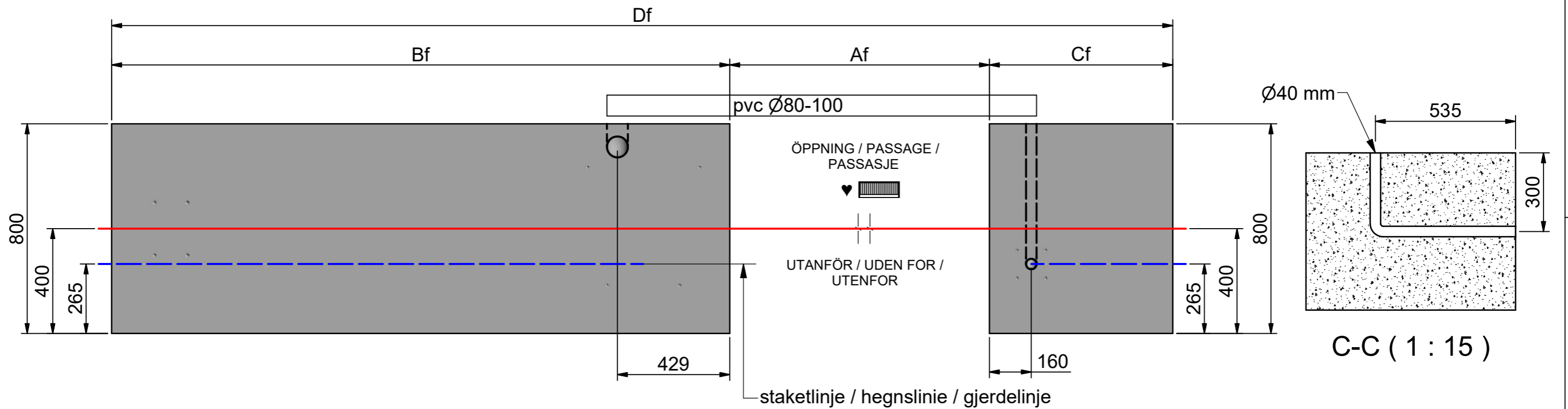
Type	A	B	C	D
30...	3169	1705	1803	77,5
40...	4244	1705	1803	77,5
50...	5264	1705	1803	77,5
60...	6169	1705	1803	87,5

REV.:	REVISION DESCRIPTION:	NAME:	DATE:	CHK. BY:
2	remove max. on section A-A and B-B	SSch	10-07-'23	
1	change dimensions Af, Bf, Df, A and B in the tables	SSch	27-06-'23	
0	Production drawing	SSch	26-06-'23	

anchor type	thread x length	E1	E2	F1	torque
Fisher FAZ II 12/10 R Art.-No. 501413	M12x110 mm	90 mm	80 mm	12 mm	60 Nm

DRAWN BY: SSch	DESCRIPTION:			
DATE: 26-6-2023	FOUNDATION / BUILT UP / BASIC DIMENSIONS			
REF. NO: portconfundblk40re				
	PROJECT:	DRAWING NO:	REV NO:	SHEET:
	SLIDING GATE CONDOR	p09482	2	6 v 8

UNIT: mm



Type	Af	Bf	Cf	Df	Ef
30...	2580	2360	700	5640	88
40...	3655	2360	700	6715	88
50...	4675	2360	700	7735	88
60...	5580	2360	800	8740	78

CONDOR L

FUNDAMENT

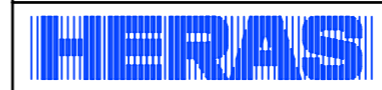
SV
 Betong C20/25. Lägg kabelrör med dragtråd. Återfyll schakten efter rörläggningen.
 Ändring av utförandet utan tillstånd från Heras är ej tillåtet.

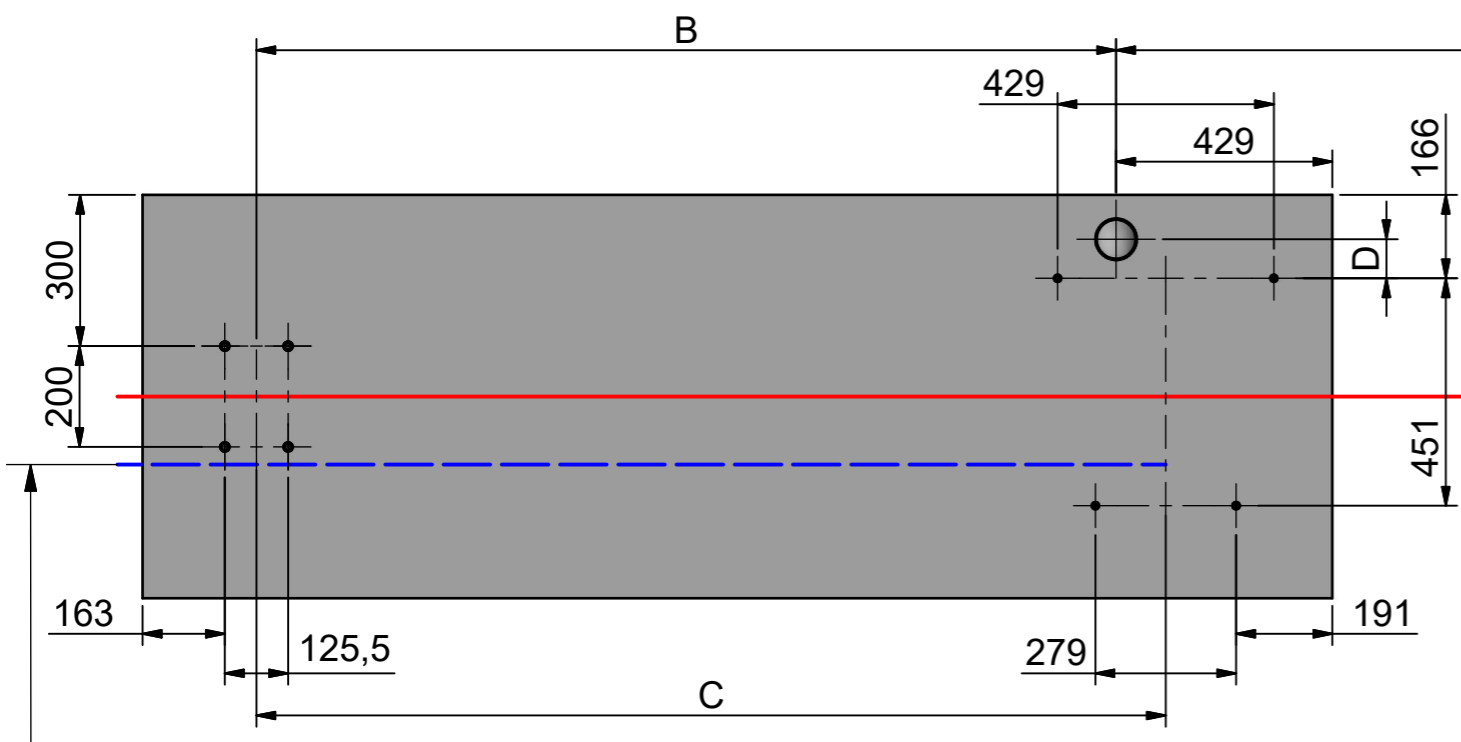
DK
 Betong C20/25 Læg trækwiren i PVC-rør på forhånd og fyld jorden op efter lægning af kablet.
 Afvigelser i udførelse uden tilladelse fra Heras er ikke tilladt!

NO
 Betong C20/25 Legg trekkvaieren i PVC-rør på forhånd og fyll opp jord etter kabellegging.
 Avvik i utførelse uten tillatelse fra Heras er ikke tillatt!

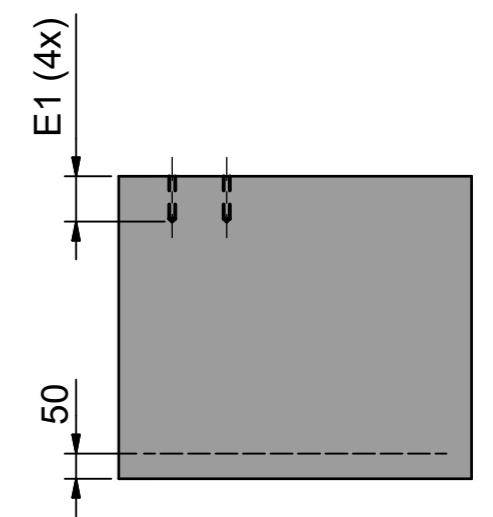
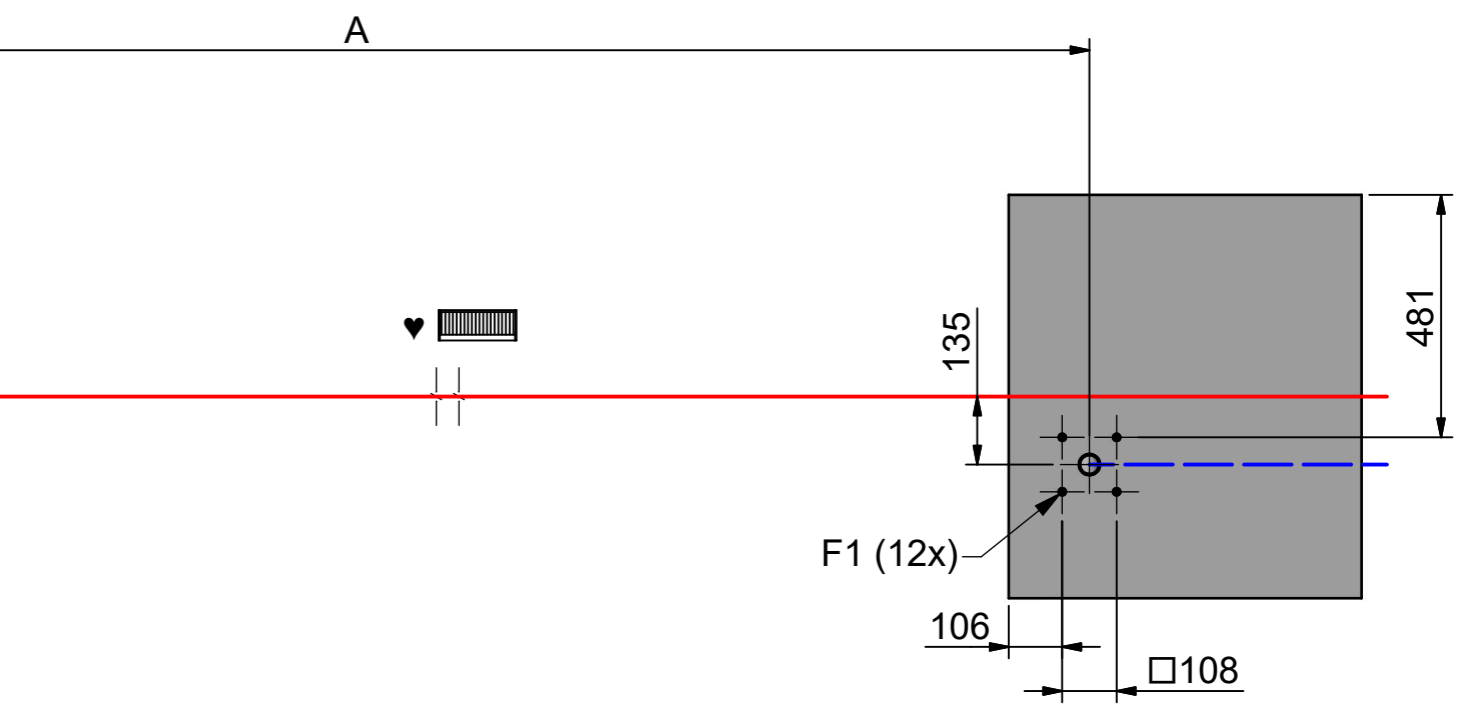
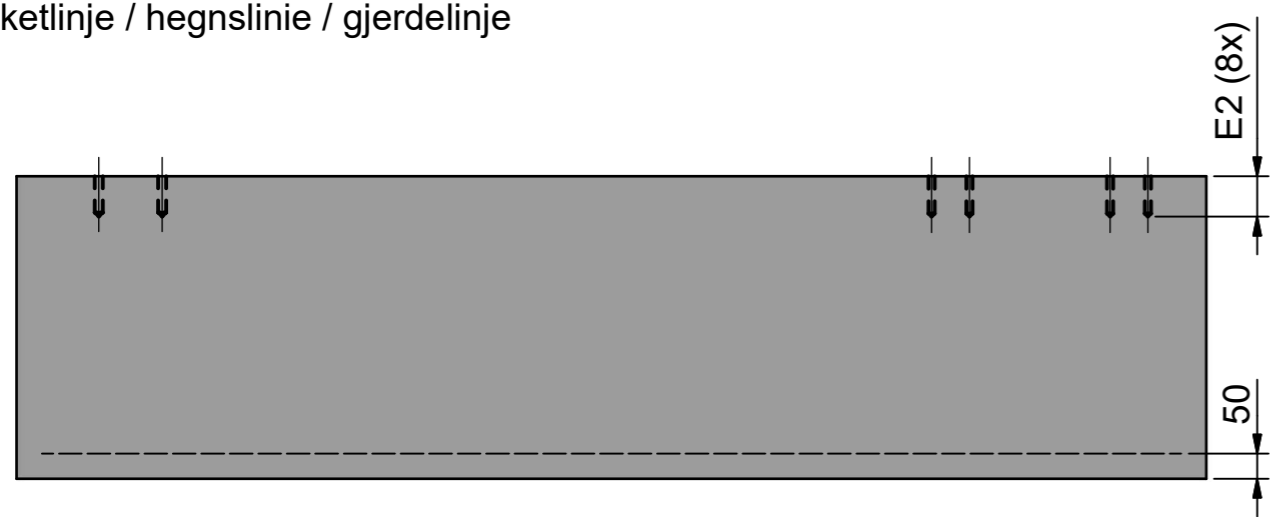
2	remove max. on section A-A and B-B	SSch	10-07-'23	
1	change dimensions Af, Bf, Df, A and B in the tables	SSch	27-06-'23	
0	Production drawing	SSch	26-06-'23	
REV.:	REVISION DESCRIPTION:	NAME:	DATE:	CHK. BY:
DRAWN BY: SSch		DESCRIPTION:		
DATE: 26-6-2023		FOUNDATION / BUILT UP / BASIC DIMENSIONS		
REF. NO: portconfundblk40re				
PROJECT: SLIDING GATE CONDOR		DRAWING NO: p09482	REV NO: 2	SHEET: 7 v 8

UNIT: mm





staketlinje / hegnslinie / gjerdelinje



CONDOR L

Type	A	B	C	D
30...	3169	1705	1803	77,5
40...	4244	1705	1803	77,5
50...	5264	1705	1803	77,5
60...	6169	1705	1803	87,5

2	remove max. on section A-A and B-B	SSch	10-07-'23	
1	change dimensions Af, Bf, Df, A and B in the tables	SSch	27-06-'23	
0	Production drawing	SSch	26-06-'23	
REV.:	REVISION DESCRIPTION:	NAME:	DATE:	CHK. BY:

DRAWN BY: SSch		DESCRIPTION:			
DATE: 26-6-2023		FOUNDATION / BUILT UP / BASIC DIMENSIONS			
REF. NO: portconfundblk40re					
		PROJECT:	DRAWING NO:	REV NO:	SHEET:
		SLIDING GATE CONDOR	p09482	2	8 v 8

anchor type	thread x length	E1	E2	F1	torque
Fisher FAZ II 12/10 R Art.-No. 501413	M12x110 mm	90 mm	80 mm	12 mm	60 Nm

UNIT: mm